

Sensor Holders

Aluminum

SPECIFICATION

Identification no.

No. **2**: With stainless steel socket cap screw DIN 912

Aluminum

Powder coated

Black, RAL 9005, textured finish **SW**

Socket cap screws DIN 912

Stainless steel AISI 304

Hex nuts DIN 985

Stainless steel AISI 304

Self-locking by polyamide ring



INFORMATION

The clamping bore of sensor holders GN 278.4 is mechanically machined and designed for construction tubes GN 990 (see page 1902) or DIN 2391, DIN 2395 and DIN 2462.

At the screw location **z**, the socket cap screw reduces the bore cross-section for clamping.

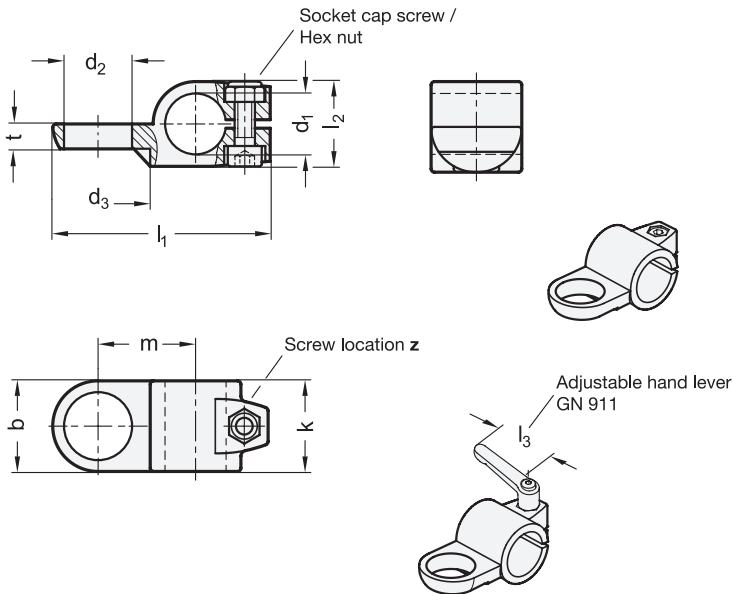
For clamping without tools, the socket cap screw can be replaced by an adjustable hand lever GN 911 (see page 1874) listed in the table as accessory.

ACCESSORY

- Adjustable Hand Levers GN 911 (see page 1874)

TECHNICAL INFORMATION

- Stainless Steel Characteristics (see page A26)



GN 278.4

Description	d1	d2	b	d3	k	l1	l2	m	t	z Screw location	Accessory Recom. hand lever GN 911 for z I3	⚖
GN 278.4-B20-B18-2-SW	B 20	B 18	40	50	40	95	40	43	10	M8-25	-	185
GN 278.4-B20-B30-2-SW	B 20	B 30	40	50	40	95	40	43	10	M8-25	-	181
GN 278.4-B25-B18-2-SW	B 25	B 18	40	50	40	95	40	43	10	M8-25	63 78	169
GN 278.4-B25-B30-2-SW	B 25	B 30	40	50	40	95	40	43	10	M8-25	63 78	165
GN 278.4-B30-B18-2-SW	B 30	B 18	40	50	40	95	40	43	10	M8-25	63 78	145
GN 278.4-B30-B30-2-SW	B 30	B 30	40	50	40	95	40	43	10	M8-25	63 78	141